

■Standard • Special Equipment

K1-E SERIES	
Press Standard Equipment	Variable Speed Motor Control
	Reversing Starter
	Micro-inching
	Flywheel Brake
	Overload Protector
	Electronic Crank Angle Indicator
	Die Height Indicator
	Stand-type Operation Button Box
	Insert Plate
	Mechanical Knockout in Bed
	Lubrication System
	Timing Switch
	Production Counter
	Preset Counter
	Emergency Stop Button
	Overrun Detector
	Shutter (front)
	Covers (side & rear)
	Load Monitor
	Pressure Switch
	Operation Panel (MPC+PLC)
	Control Panel
	Air Outlet
	Air Ejector
Special Peripheral Equipment	Die Room Light
	Air Booster Regulator
	Standard Tools
	Run Button Stand (K1-10000E is standard equipment)
	Slide Knockout (mechanical, Pneumatic)
	Bed Knockout (three stage)
	Die Clamps
	Die Lifters
	Graphic Load Monitor
	Optical Safety Device
	Warning Lamp on Top of Press
	Automation Device

K-E SERIES		
Press Standard Equipment	Reversing Starter	
	Flywheel Brake	
	Electronic Crank Angle Indicator	
	Die Height Indicator	
	Stand-type Operation Button Box	
	Insert Plate	
	Mechanical Knockout in Bed	
	Lubrication System	
	Timing Switch	
	Production Counter	
	Preset Counter	
	Emergency Stop Button	
	Overrun Detector	
	Shutter (front)	
	Covers (side & rear)	
	Load Monitor	
	Pressure Switch	
	Operation Panel (MPC+PLC)	
	Control Panel	
	Air Outlet	
	Air Ejector	
	Standard Tools	
	Special Peripheral Equipment	Variable Speed Motor Control
		Micro-Inching
Run Button Stand		
Slide Knockout (mechanical)		
Die Clamps		
Die Lifters		
Graphic Load Monitor		
Optical Safety Device		
Warning Lamp on Top of Press		
Die Room Light		
Automation Device		
Air Booster Regulator		
Two-dimensional Transfer Unit		
Three-dimensional Transfer Unit		
Automation Takeoff Shaft		
Product Discharge Conveyor		
Material Feed Device		
Die Set		
Vibration Mounts		
Anchor Bolts		

*There are many other types of special equipment available, so please consult with AIDA.

AIDA ENGINEERING, LTD.

Corporate Headquarters : 2-10 Ohyama-cho, Midori Ward, Sagami-hara City, Kanagawa Prefecture, 252-5181, Japan

Phone : (81)-42-772-5231 Facsimile : (81)-42-772-5261

Homepage : <https://www.aida.co.jp/>

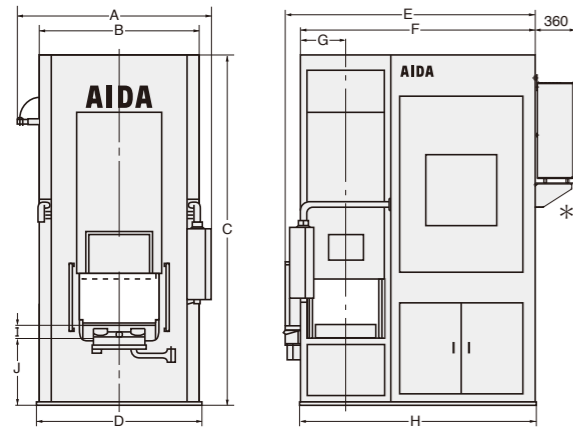


K1-E / K-E SERIES

COLD FORGING PRESS
Specifications Document



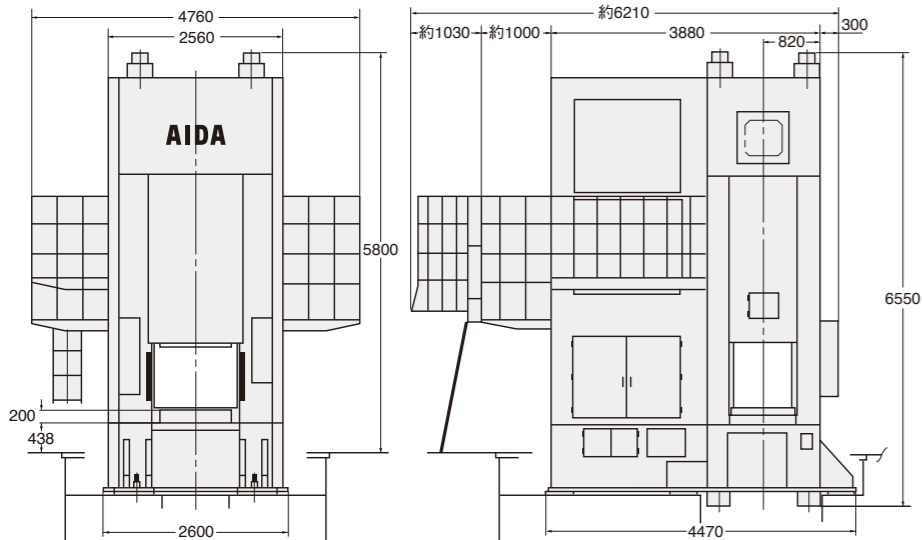
Major Dimensions of K1-2500E, K1-4000E, K1-6300E (Approx.)



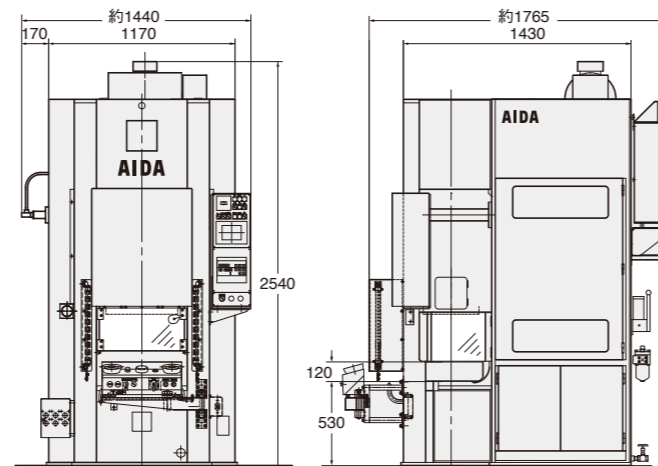
	K1-2500E	K1-4000E	K1-6300E
A	1680	1910	2140
B	1300	1540	1760
C	3040	3555	4265
D	1330	1570	1790
E	2215	2500	3055
F	2000	2310	2840
G	390	460	560
H	2030	2340	2870
I	130	140	150
J	570	660	770

* Only the K1-2500E has the inverter panel mounted on the exterior.

Major Dimensions of K1-10000E (Approx.)



Major Dimensions of K1-1600E (Approx.)

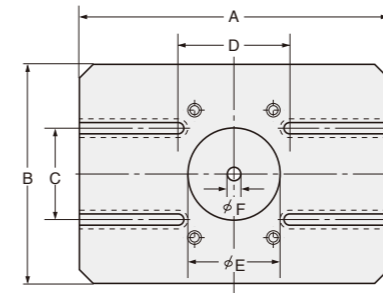


Main Specifications

Model		K-1600E	K1-2500E	K1-4000E	K1-6300E	K1-10000E
Tonnage capacity	(kN)	1600	2500	4000	6300	10000
Rated tonnage point	(mm)	4	7	7	7	10
Slide stroke	(mm)	90	160	180	220	250
Strokes per minute under no load	(min ⁻¹)	65(35~65)	30~60	30~50	25~45	25~40
Die height	(mm)	300	400	450	550	650
Slide adjustment	(mm)	15	50	50	50	50
Slide area (L.R.×F.B.)	(mm)	450×350	600×400	700×500	800×600	1000×900
Bolster area (L.R.×F.B.)	(mm)	500×400	600×500	700×600	800×700	1000×900
Side opening	(mm)	415	600	700	820	920
Bed knockout capacity	(kN)	80	120	200	320	500
Knockout stroke	(mm)	45(10)	80(10)	90	110	110
Overall height above floor level	(mm)	2540	3040	3555	4265	5800
Main motor	(kW)	INV15	INV30	INV37	INV45	INV75

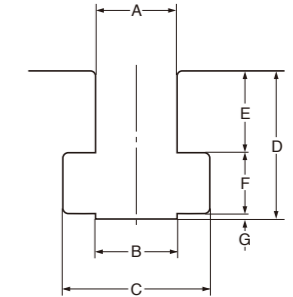
*Specifications in '()' are available options.

Slide die space layout



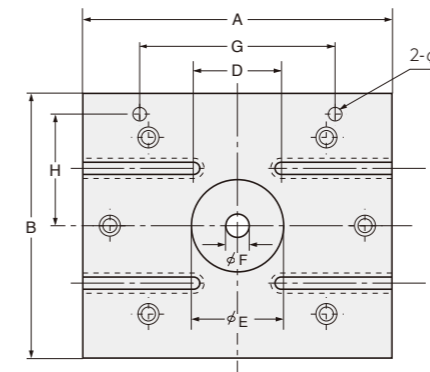
	K1-1600E	K1-2500E	K1-4000E	K1-6300E	K1-10000E
A	450	600	700	800	1000
B	350	400	500	600	900
C	160	180	220	250	350
D	200	200	300	400	450
φE	166	186	216	280	360
φF	20	20	25	25	50

Slide T-slot dimensions



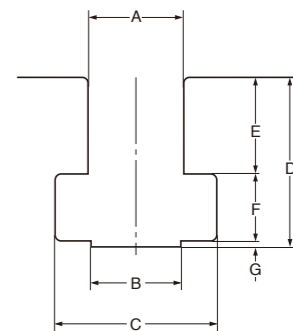
	K1-1600E	K1-2500E	K1-4000E	K1-6300E	K1-10000E
A	18	18	22	28	42
B	18	18	22	28	42
C	30	30	37	46	68
D	27.5	27.5	36	44	66
E	15	15	19	23	33
F	12	12	16	20	32
G	0.5	0.5	1	1	1

Bolster die space layout



	K1-1600E	K1-2500E	K1-4000E	K1-6300E	K1-10000E
A	500	600	700	800	1000
B	400	500	600	700	900
C	200	220	260	320	350
D	200	200	230	300	450
φE	166	186	216	280	360
φF	40	40	50	50	70
G	270	340	440	370	650
H	180	205	255	305	410
φI	25	30	30	30	40

Bolster T-slot dimensions



	K1-1600E	K1-2500E	K1-4000E	K1-6300E	K1-10000E
A	22	28	28	28	42
B	22	28	28	28	42
C	37	46	46	46	68
D	36	44	44	44	66
E	19	23	23	23	33
F	16	20	20	20	32
G	1	1	1	1	1

*The specifications are subject to change without notice.